

# LED FLOOD LIGHT

## Flood Light series

LED Lighting System-50,000Hours+ L70

Commercial/Architectural Grade

### Technology Information

Architectural UV resistant powder coat finish

Voltages:100-277V / 200-480V

Lens:PolycarbonateOpticallens

IP Rating:IP66

Operating Temp:- 20°C to +40 °C

Finish:Bronze/Black

Power Supply Efficiency: > 90%

Lifetime > 50,000 Hrs (Ta=30°C@L70)

Mounting Options:U Bracket



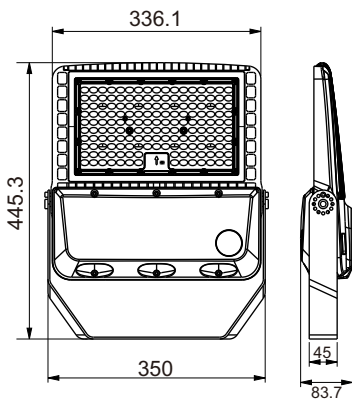
10W/12W/20W/30W/50W

100/150W/200W

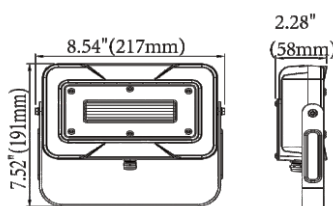
## B Type

5  
Years  
Warranty

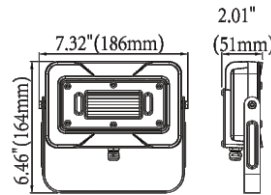
### Dimension:



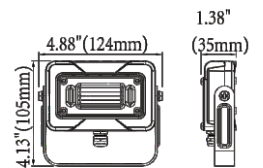
100W/150W/200W



50W



20W/30W



10W/12W

### ORDERING INFORMATION

Item code	Watts	Lumens	Operation Vol.	Color Temperature	Starting Temperature	Replace HID
FL01-10W	10W	1000 lm	100-277V / 200-480V	3000K/5000K	-20 °C	25-35W
FL01-12W	12W	1200 lm	100-277V / 200-480V	3000K/5000K	-20 °C	31-41W
FL01-20W	20W	2200 lm	100-277V / 200-480V	3000K/5000K	-20 °C	55-65W
FL01-30W	30W	3300 lm	100-277V / 200-480V	3000K/5000K	-20 °C	80-100W
FL01-50W	50W	6000 lm	100-277V / 200-480V	3000K/5000K	-20 °C	140-160W
FL01-100W	100W	13500 lm	100-277V / 200-480V	3000K/5000K	-20 °C	270-330W
FL01-150W	150W	20250 lm	100-277V / 200-480V	3000K/5000K	-20 °C	420-480W
FL01-200W	200W	27000 lm	100-277V / 200-480V	3000K/5000K	-20 °C	570-630W

**LITETRON**

Web:www.litetron.us  
Email:pibinc@gmail.com

All right reserved @ LITETRON