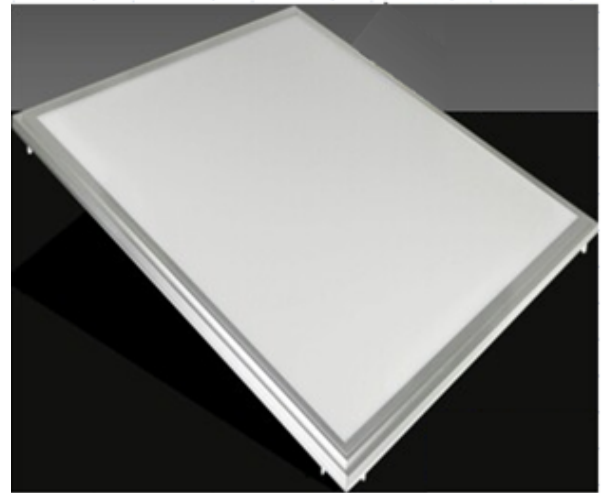


LED PANEL LIGHT

LN-PN-48W-A

LED Lighting System-50,000Hours
Commercial/Indoor Lighting Solution

Technology at Word for you



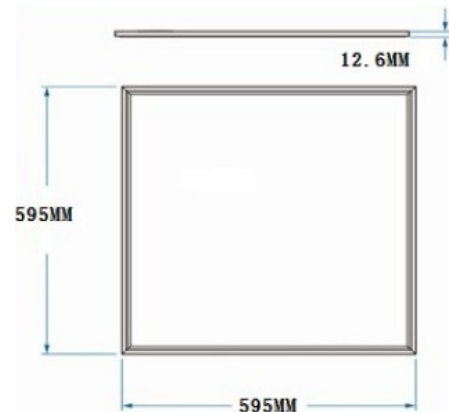
- 600* 600 Aluminum LED Panel light
- CE,RoHS,FCC,SAA,C-Tick,UL&DLC Listed
- System Watts:48W
- Voltages:100-277Vac
- CRI:>80
- IP Rating:IP20
- Operating Temp: -20 °C to +45 °C
- Operating Humidity: 20% to 90%RH
- Power Fact(PF) :>0.9
- Power Supply Efficiency: > 90%
- Color Temperature: 3000-3500K/4000-4500K/5000-6500K



Features:

Dimension:

- Light source adopts high brightness SMD LED;
- No UV,rays,no noise,no flickering,mercury free;
- Longer life than incandescent, fluorescents & HID's;
- PS diffuser,PMMA light guide plate, high lumen output;
- Power supply with wide voltage and constant current;
- Easy installation(Embedded &Suspended&Mounted);
- 50%~80%+energy savings;
- 5 Years limited warranty.



ORDERING IN FORMATION

Item code	Watts	Lumens	Input voltage (V)	Color Temperature	Beam Angle	Replace HID
LN-PN-48W-A	48W	4080lm	100-277Vac	3000-3500K 4000-4500K 5000-6500K	120	120W